

# Safe Port

## Scanning Station for Industrial and Operational Plants

### Simplified External Media Scanning and Centralized Device Audit Management

Safe Port is an all-in-one cybersecurity solution designed to secure industrial and operational technology environments against increasing external threats without disrupting plant operations.

The easy-to-use touchscreen device quickly removes malware from untrusted, third-party, and contractor removable media using accurate, high-speed anti-malware scanning capabilities and secure file transfer functionality.

Safe Port also centralizes audit log collection from TXOne Portable Inspectors, enabling streamlined auditing workflows. Plant operators can complete security and device audit processes without specific expertise, reducing reliance on large, on-site security teams.

By simplifying external media scanning and centralizing device audit management with Element One, Safe Port makes preventative and routine security initiatives achievable without adding operational overheads.



### Benefits

#### Rapid Scanning

Sanitizes USB devices in under a minute to remove malware from external and untrusted storage media sources.

#### Intuitive Interface

Enables anyone to operate regardless of cybersecurity expertise through a simplified user experience.

#### Automated Logging

Collects and aggregates audit data from TXOne Portable Inspectors for streamlined visibility and reporting with Element One.

#### Secure Transfer

Allows malware-free file transfers from external media to secure OT transfer devices.

#### OT-Optimized

Built specifically for industrial control environments with quiet, ruggedized hardware.

#### Continuous Updates

Regular detection pattern and software enhancements maximize accurate threat detection.

#### Minimal Maintenance

Fanless design eliminates airflow filters and other service requirements.

#### Compact Footprint

The all-in-one unit conserves space using a ruggedized touchscreen to replace the keyboard and mouse.



# Safe Port

Security Outpost at your OT Frontier

## Key Features

Features	
System hardening for anti-tampering protection	Online/Offline updates supported
Small footprint with no keyboard or mouse required	Anti-malware scanning at up to 7,200 files per minute*
Intuitive interface for non-technical users	Portable Inspector scan/audit log aggregation to ElementOne
Simple setup and operation	Automated TXOne Portable Inspector pattern updates
Gloved-touch supported**	Fanless, passive cooling***
Fast and easy to understand scan results	Kensington Security Slot
File system supported: FAT16, FAT32, NTFS, exFAT	Scan actions supported: Log, Clean

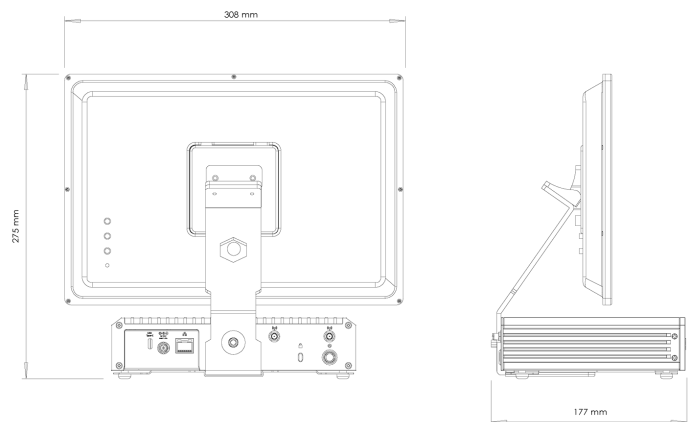
## Specifications

Safe Port – Computer	
CPU	Intel Core i5-1135G7
System Storage	256 GB
User Storage	512 GB
Storage Temperature	0°C to 70°C
RAM	32 GB
Weight (Standalone Device)	2285g
Interface	<ul style="list-style-type: none"> <li>· USB 3.2 Type A (x2)</li> <li>· Type C ALT mode (x1)</li> <li>· RJ-45 LAN (x1)</li> <li>· Lockable type DC-in Jack (x1)</li> </ul>
Power	+12~24VDC, 19V/135W adapter
Operating Temperature	0°C to 50°C
Non-operating Temperature	-30°C to 85°C
Operating Humidity	0-90% (non-condensing)
Non-operating Humidity	0%-95% (non-condensing)
Certifications	CE, FCC, VCCI, CB, UL, REACH, RoHS

Safe Port – Touch Panel	
Display Size	12.1" touch panel, TFT active-matrix panel
Weight (Standalone Device)	1600g
Touch Panel Interface	Type C
Signal Input	Type C
Power	DC 5V 3A for Type C
Display Resolution	1280*800 (16:10)
Brightness	600 nits without Touch Panel Protector
Operating Temperature	0°C to 50°C
Non-operating Temperature	-30°C to 85°C
Operating Humidity	0-90% (non-condensing)
Non-operating Humidity	0%-95% (non-condensing)
Certifications	CE, FCC, REACH, RoHS

Safe Port Stand	
Weight (Standalone Device)	350g

## Dimensions



\* Performance is measured in a laboratory; performance values may vary according to test conditions and system configuration.

\*\* Cleanroom gloves are supported. General gloves may be suitable for use with reduced sensitivity.

\*\*\* This product is designed with a fanless system that utilizes surface heat dispersion. Surface temperature may increase significantly during operation. Avoid placing the product in direct sunlight.